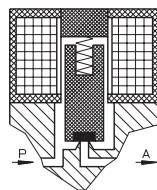
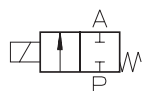


Type EA 200

2-way solenoid valve
direct actuated, NC
(normally closed)



Application
Neutral liquids, gases
and vapors



Type/ Order No.	Orifice [mm]	Port size	Pressure range [bar]		kv-value [m³/h]	Weight [kg]
			AC	DC		
EA 200-001	0,8	Flange	-	0 - 8	-	0,030
EA 200-001	1,0	Flange	-	0 - 6	-	0,030
EA 200-001	1,2	Flange	-	0 - 5	-	0,030
EA 200-001	1,6	Flange	-	0 - 2	-	0,030
EA 200-001	2,0	Flange	-	0 - 1	-	0,030

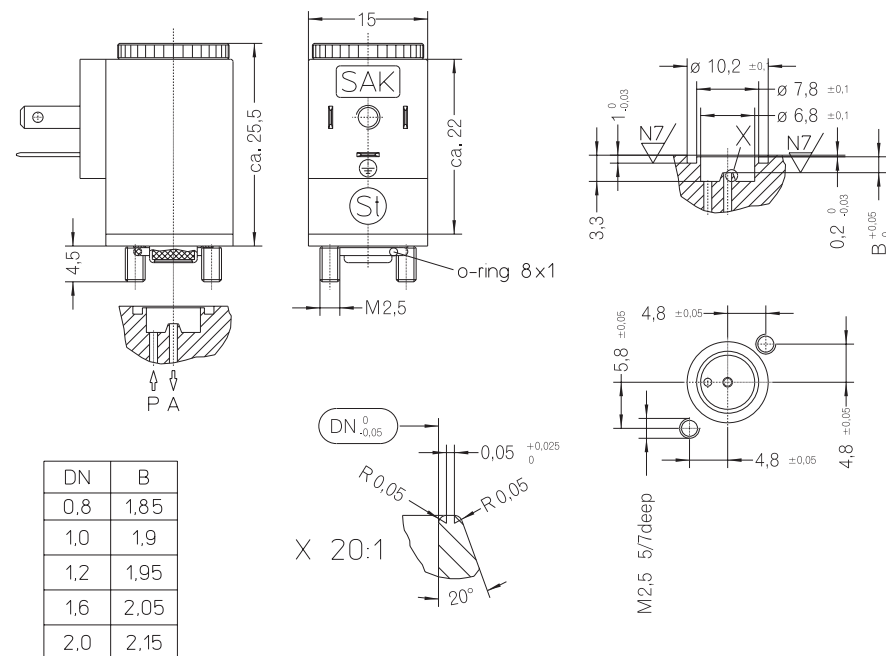
Sealing material: **P** (NBR) **E** (EPDM) **V** (FPM)

Inner parts: Stainless steel (1.4105)
 Mounting direction: Free, preferred upwards
 Max. ambient temp.: 50 °C
 Viscosity of the medium: max. 21 mm²/s (3 °E)
 Static pressure: max. 10 bar
 Standard voltage: DC: 24 V, 12 V

Power consumption: 1 W
 Voltage tolerance: -15%... +10%
 Duty cycle: 100%
 Operating frequency: max. 1800/min
 Degree of Protection: IP 54 (EN 60529)
 Plunger guide tube: Stainless steel (1.4301)

Other configurations upon request

The right to modification is reserved



DN	B
0,8	1,85
1,0	1,9
1,2	1,95
1,6	2,05
2,0	2,15